



ROOF TENT INSTRUCTIONS

HERO SKYBOX



www.herocamper.com
E-mail: sales@herocamper.com



GET OUT AND STAY HOME





GET OUT AND STAY HOME



**DOWNLOAD HERO SKYBOX APP,
ENTER SERIAL NUMBER AND
RECEIVE MAINTENANCE GUIDE**

SKYBOX MANUAL

Let the sky be the limit with the perfect addition to your Hero Camper or your car. Hero Skybox offers generous space for two adults or three kids, easy close gas-spring system, durable fiberglass shell and a rugged construction designed in Denmark.



HERO SKYBOX sets the new standard for rugged and comfortable roof mounted sleeping facilities.

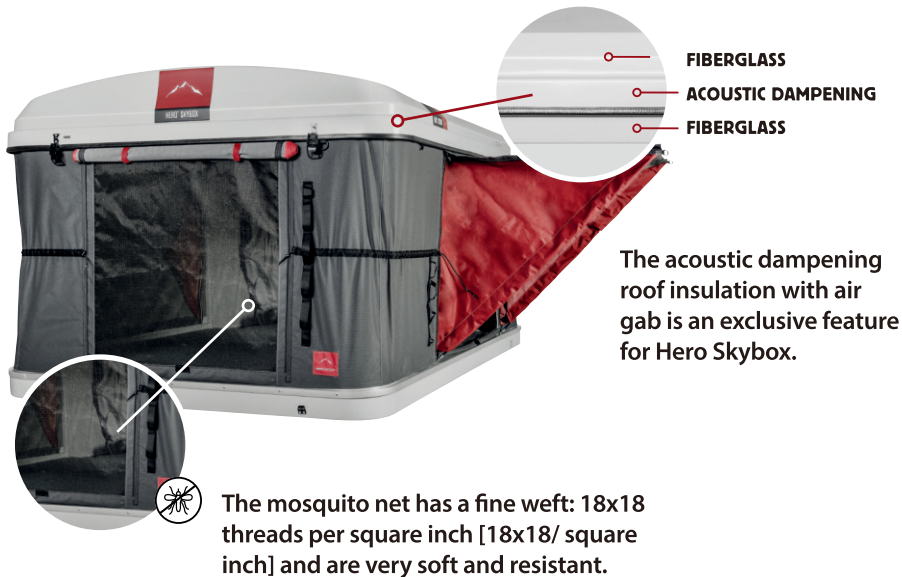
SPECIFICATIONS

Spring system:	Self opening gas springs with soft close
Mattress material:	Memory foam pillows
Mattress length:	211 cm / 6 ft 11 in
Mattress width:	138 cm / 4 ft 6.3 in
Height (internal):	100 cm / 3 ft 3.3 in
Load capacity (camping):	200 kg / 441 lbs
Weight:	63 kg / 149 lbs
Material:	Fiberglass and all-weather fabric
Awning:	Airtex™
Use on:	Hero Camper or car

TECHNICAL DETAILS

We have used fiberglass as the rind of the tent to prevent it from discoloring or losing its shape. The Hero Skybox tent has a remarkable capacity to withstand bumps and knocks.

ROOF INSULATION



No matter which kind of roof bars you have on your vehicle the three “C” shaped built in guides allow you to install the tent easy and without complications (normally without any additional fixings).

2.c It is possible to verify weight variations in the range of 10%, as the Hero Skybox roof tent are a hand craft product realized through accurate manual techniques. Do not exceed maximum load allowed on the roof given by the vehicle’s manufacturer, and when calculating the carriable load, it is recommended to take aforementioned factor in consideration. Also consider the weight of the roof racks and possible items stored inside the tent.

2.d Always check the load fixing for wear and tear and whether the tent is perfectly closed before driving.

2.e During driving pauses it is also recommended.

2.f Be aware of not to exceed the maximum load for transport indicated on the vehicle registration document, and do not exceed the maximum load specified in the assembly instruction. The manufacturer declines any responsibility for any accidents due to wrong maintenance, improper use or non-respect of general rules concerning the use of the product.

2.g Do not leave kids unattended inside the product.

2.h Be aware of the total height of the vehicle allowed in covered parking and subways. Also, be aware of following obstacles: street signals and advertising, trees, barriers, prominent rocks and so on.

2.i When washing the car in an automatic car wash with rolls, be sure the car wash allows car + tent washing.

2.j Never transport inflammable or dangerous objects inside the product.

2.k Do not use the product during extraordinary weather conditions (typhoons, hurricane, overflows, flows, land slide etc.) or when wind speeds are more than 30 km/h or 17 knots.

WARRANTY

1.a Normal wear and tear or improper use of the components are not covered by the warranty.

1.b The condition for warranty validity is that the defect product must be returned by the purchaser to the dealer, in which it has been purchased together with the till receipt.

1.c Within 10 days from delivery any possible visual defects must be communicated to the manufacture substantiated by pictures and the serial number of the product.

1.d It is not allowed to return the product to the manufacture without a written author-ization from the manufacture. Hero Campers official website.

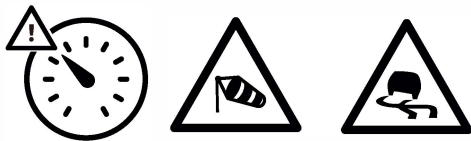
1.e Returns of used products are not allowed.

1.f The purchaser will not cover any freight costs if the product is not covered by the warranty and a repair will be carried out at reasonable costs.

1.g The manufacture must provide at his discretion for the replacement or repairing of the product.

1.h The warranty decays in case of interventions not carried out by the manufacturer.

1.i All fasteners must be ensured they are tightened enough at regular intervals

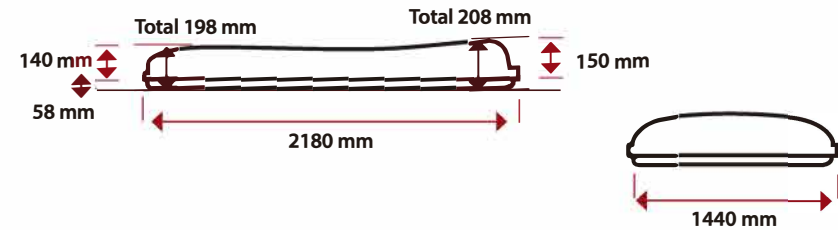


2.a It is necessary to suitably lower speed, as the any element on the roof of the vehicle alters its standard conditions.

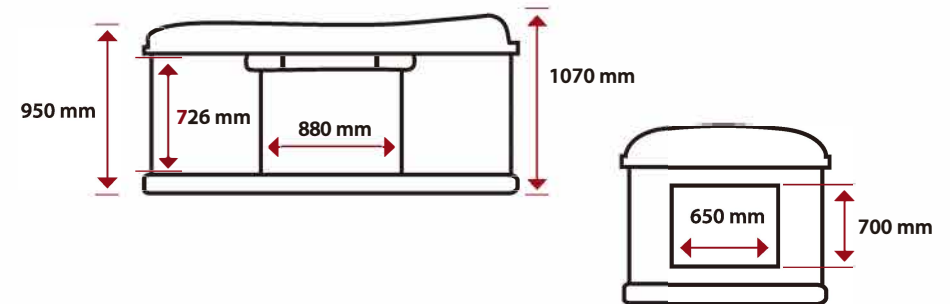
2.b It is necessary to consider traffic, quality of roadbed, environmental and weather conditions before driving with the product.

MEASUREMENTS

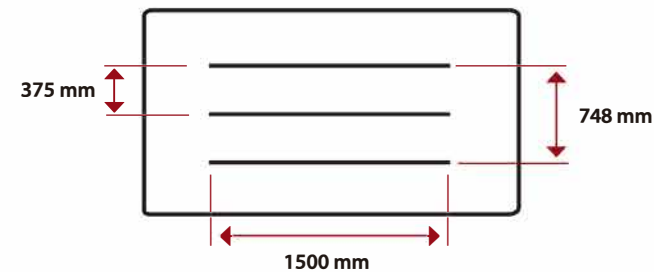
SKYBOX CLOSED



SKYBOX OPEN



UNDERNEATH



MATERIALS

We built in features to ensure the comfort is assured in extremes of climate, and we have designed the roof tent to be waterproof, windproof and breathable. To insulate the tent from heat, cold and external light we use Airtex.

THE ADVANTAGES OF AIRTEX



BREATHABLE:

Airtex make sure the heat and humidity does not form condensation.



WATERPROOF:

It is not necessary to give the tent any kind of waterproof treatment, as the rind do not retain water and that give you the option to fold the tent even it is wet.



STRENGTH:

The fabric is very resistant against dirt and tear caused by the strong weft fibers. The fabric will not expand or shrink in changing weather conditions.

CLEANING RECOMMENDATION

To store the assembly parts made of AIRTEX® it is requested to keep the product dry and clean from dirt. In case of improper storage, it can cause fungicidal in the fabric and consequently the material can lose its strength in the affected material.

The cleaning of the AIRTEX® fabric can be done manually with a soft sponge with warm water around 30°C and common detergents. After thorough rinsing it is important to dry the material completely. When cleaning larger objects, it is possible to use an industrial washing machine with max temperature on max 40°C with subsequent drying. AIRTEX® fabric can be disposed via normal household, please find information in your local legislation.

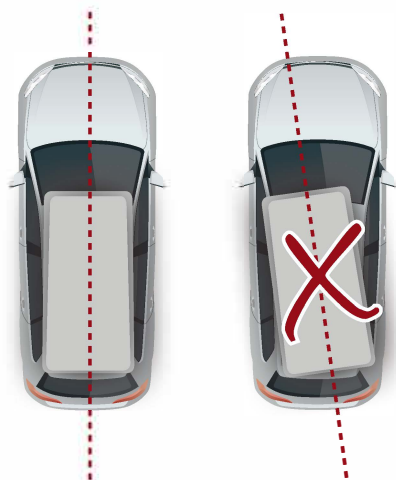
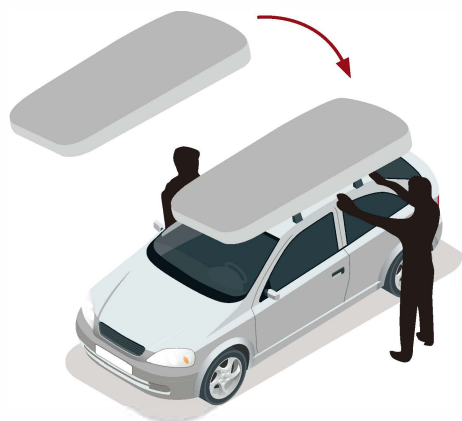
DOOR STAY

DOOR STAY ASSEMBLING



MOUNTING

PLEASE NOTE:



AIRTEX TECHNICAL DATA

Coating:	Acrylic on top side
Total weight	200 g/m ² (EN ISO 2286-2)
Tensile strength (warp/weft)	2200/1000 N/5 cm (DIN EN ISO 1421/V1)
Tear strength (warp/weft)	280/80 N (DIN 53363)
Temperature resistance	-40° C / +70° C (DIN EN 1876-1 / PA 07.04) (intern)
Solar protection factor	80 (UV Standard 801)
Light fastness	DIN EN ISO 105 B02
Weather fastness	DIN EN ISO 105 B04
Resistance against water pressure	70 hPa (DIN EN 20811)
Hydrophobicity	DIN EN 24920 Spraytest (AATCC-22 Spray Test)
Crack resistance	50.000 (DIN 53359 A) No cracks
Base fabric	100% PES (DIN ISO 2076)

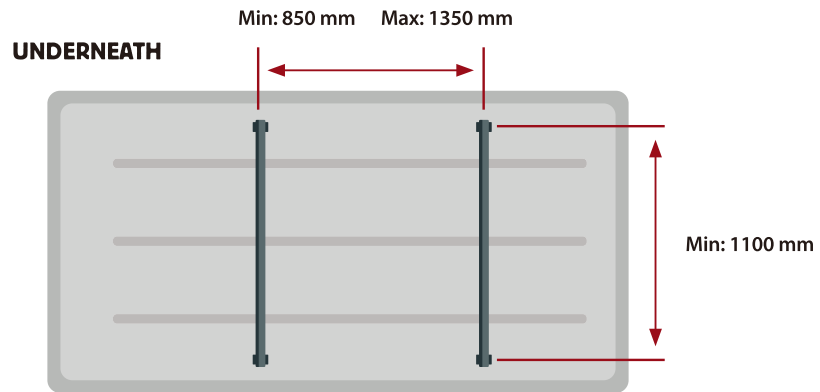
MEHLER
eco-care



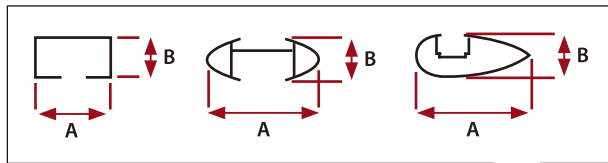
The indicated technical specifications are average values. Colours are subject to slight variations. References made to RAL are indications only. Always check the validity of fire certificate. All MEHGIES® products are in accordance with the European REACH directive (Registration, Evaluation and Authorisation of Chemicals). Manufactured in Germany under the internationally recognized standard of quality DIN EN ISO 9001:2008. Other versions upon request, program changes reserved.

MOUNTING

TOP BRACKET DIMENSION REQUIREMENTS



ROOF MOUNT

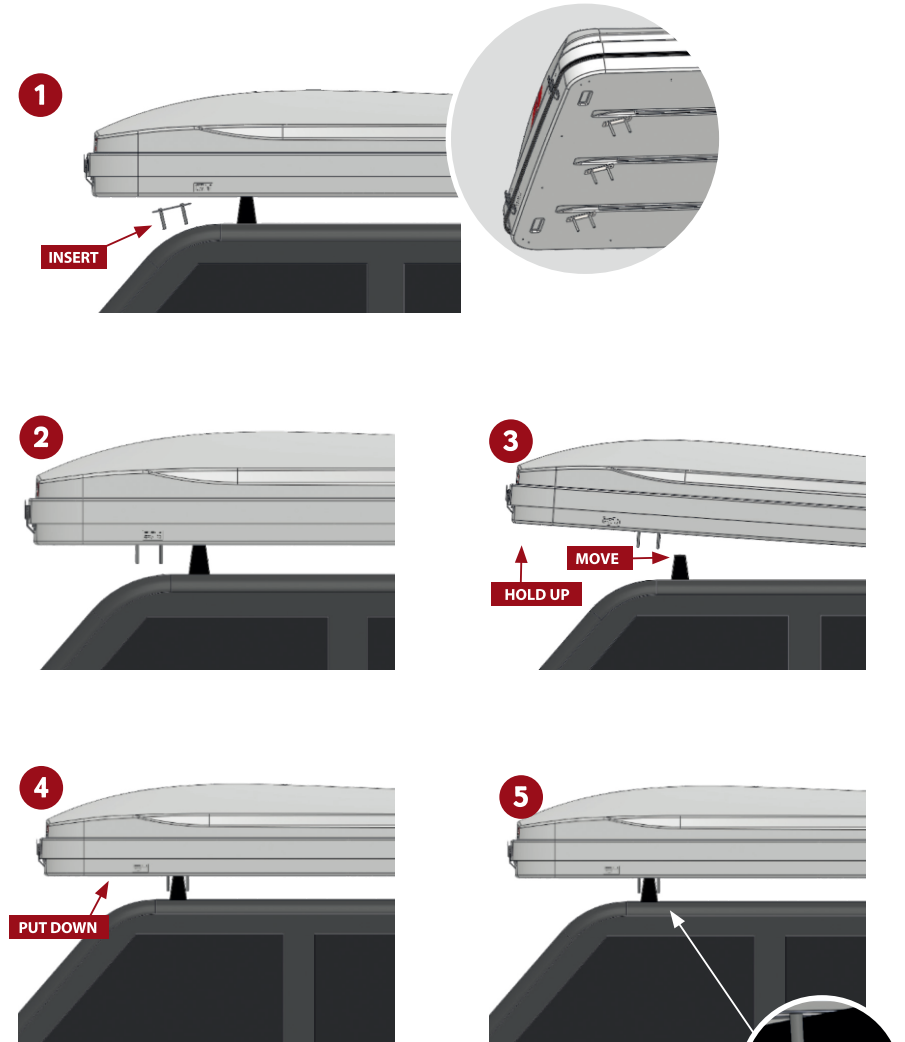


A | Min: 35 mm
Max: 85 mm

B | Min: 25 mm
Max: 43 mm



MOUNTING



Always ensure
before driving
tightening torque
to be between 12
to 14 Nm